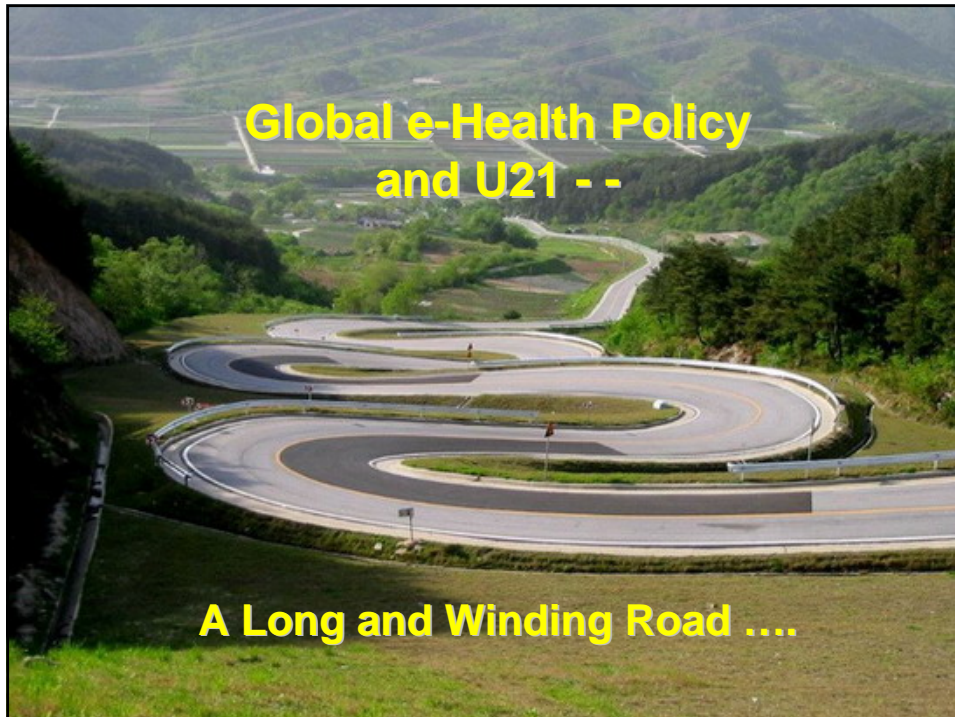


WHO GOe-U21 Global e-Health Policy Committee

Dr. Richard E. Scott

*Chairperson, WHO Goe – U21 Global e-Health Policy Committee
Associate Professor, Global e-Health Research and Training Program,
Health *Innovation* and Information Technology Centre;
Harkness Associate; Fulbright New Century Scholar;
Immediate Past-President, Canadian Society of Telehealth*

Annual U21 Global e-Health Committee Meeting
Virginia, PA, USA
16 September 2008
[Sub-Committee Report]





Content

- 2007-2008 Initiative
- Bellagio Policy Conference
- Concern - Acton Needed
- Moving forward - 2008-2009 Initiative



Content

2007-2008 Initiative

2007-2008 Initiative

- Rockefeller Opportunity -

- Committee 'Working Principle':
 - Given limited resources (human and \$) will address only one initiative per year.
 - Additional initiatives will be tackled **only** after membership and / or funding grows.

"Making the Connection"

- Rockefeller Foundation eHealth Conference Series -

**"Making the eHealth Connection:
Global Partnerships, Local Solutions"**

;/=\\][_{
/making/the/
eHealth/
connection
/"#, ()*=\\[

8 Consecutive and Concurrent Conferences

<http://www.ehealth-connection.org/>

July 13 to August 8, 2008 ; Rockefeller Conference Centre, Bellagio,
Italy

"Making the Connection"

- Conference Series ~ Themes -

- The path to inter-operability
- Public health informatics and national health information systems
- Access to health information and knowledge-sharing
- eHealth capacity building
- Electronic health records
- Mobile phones and telemedicine
- Unlocking eHealth markets
- National eHealth policies

;/making/the/
eHealth/
connection
/##, ()*=\\

"Making the Connection"

- Timeline -

- February 2008
 - Preliminary planning meeting – Dr. Kwankam
 - Request to co-develop Policy Conference – Dr. Scott
- February to August 2008
 - Planning
- August 2008
 - Conference

;/making/the/
eHealth/
connection
/##, ()*=\\

"Making the Connection"

*- GOe-U21 Global e-Health Policy Committee Participants –
(The Entire Committee !!)*

- Dr. Kwankum
 - WHO GOe
- Dr. Scott
 - GOe-U21 GeH Policy Chairperson
- Dr. Maurice Mars
 - South Africa; Africa Representative
- Dr. Shariq Khoja
 - Pakistan; Asia Representative

Content

Bellagio Policy Conference

“Making the Connection”

- Bellagio – Site of Rockefeller Foundation eHealth Conference Series -



“Making the Connection”

- Rockefeller Foundation eHealth Conference Series -

Call to Action – Output from Policy Conference

1. Develop a **Convention on Global eHealth**;
2. Create an eHealth Policy Toolkit;
3. Craft integrated advocacy, communications, and marketing plans;
4. Foster the establishment and support of **National eHealth Councils**;
5. Support three catalytic activities that establish eHealth’s credibility:
 - a) Create a **Network of Centers of Excellence**;
 - b) Establish and support a **Network of eHealth Ambassadors**;
 - c) Establish knowledge dissemination mechanisms



Content



Concern



Global Observatory for eHealth

- Leadership -



- WHO eHealth Coordinator
 - Dr. Yunkap Kwankam
 - Retired effective 30 August 2008
- Concern
 - No one identified to take over this key position
- Action – Letter from Chair, urging replacement?
 - Global importance of eHealth
 - Continued liaison with U21

Content

Moving Forward

e-Health Policy

- Policy Research Options -

Table 1 Possible sequential approaches to encourage research in the area of e-health policy

| Approach | Issue | Question | Example |
|-----------------|------------------------------------|---|--|
| Historical | How did 'policy' develop? | What was the role of research in policy making? | Examining policy development within a jurisdiction that occurred in relation to an established telehealth activity such as radiology or telepsychiatry |
| Developmental | What policy should exist? | What policy options exist for a given jurisdiction and e-health tool? | Analysing the evidence and proffering specific policy options and recommendations around home telehealth (or home telecare) |
| Comparative | What policy exists? | Is e-health policy in one jurisdiction applicable to or better than that in another? | Comparing the e-health policy of Malaysia with that of Canada |
| Impact | What 'outcome' resulted? | Did implementation of a specific e-health-related policy have the desired effect and did the expected outcome(s) materialize? | Investigating whether the introduction of broadband communications in rural and remote areas resulted in greater connectivity for the citizen |
| Transferability | What policy can be used elsewhere? | Can transfer of e-health policy be (or how has it been) successfully accomplished? | Examining how e-health policy has been transferred between member states of the European Union |
| Policy failure | What policy does not work? | When or why has implemented e-health policy failed? | Analysing protective state physician licensure policies in the US and their enhancement of inter-jurisdictional patient access to e-health services |

Scott RE. Journal of Telemedicine and Telecare 2004;10(4):246-248

Investigating e-Health policy – tools for the trade

Work Options for 2008-2009

- Moving Forward - 'Big Bang' Opportunities? -

- New
 - Global eHealth Convention

OR

- Re-new
 - Global e-Health Policy Matrix Model

Global eHealth Convention

- Conceptualise, Design Content, Pen, and Promote -

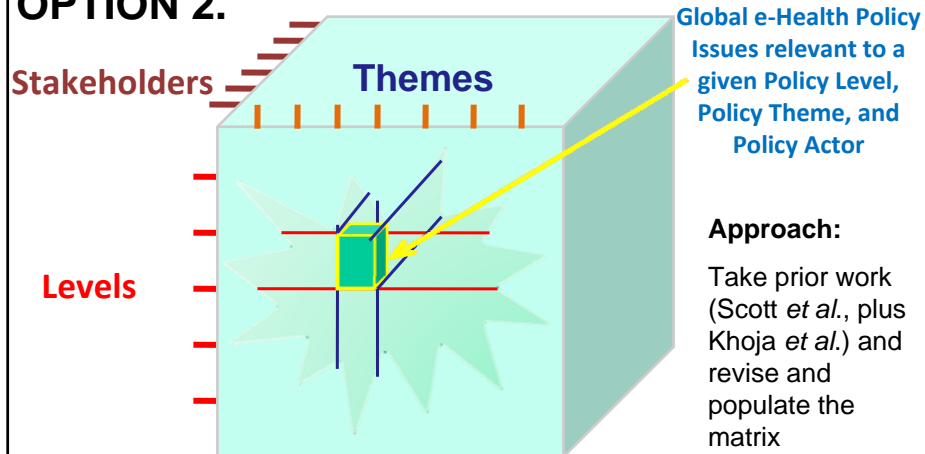
OPTION 1.

- Global eHealth Convention
 - Nope – not another meeting in Bellagio!
 - A 'Convention'
 - “An international agreement, especially one dealing with a specific matter.”
 - Offer support of GOe-U21 GeH Policy Committee to move this forward

Glocal e-Health Policy Matrix

- Conceptual Model ~ Needs Populating -

OPTION 2.



Needs

- Moving Forward -

- Commitment and Participation!
 - Call last 2 years to identify interested Faculty
 - One response
- Without volunteer members and their commitment of time
 - No further advancement of GOe-U21 GeH Policy Committee

